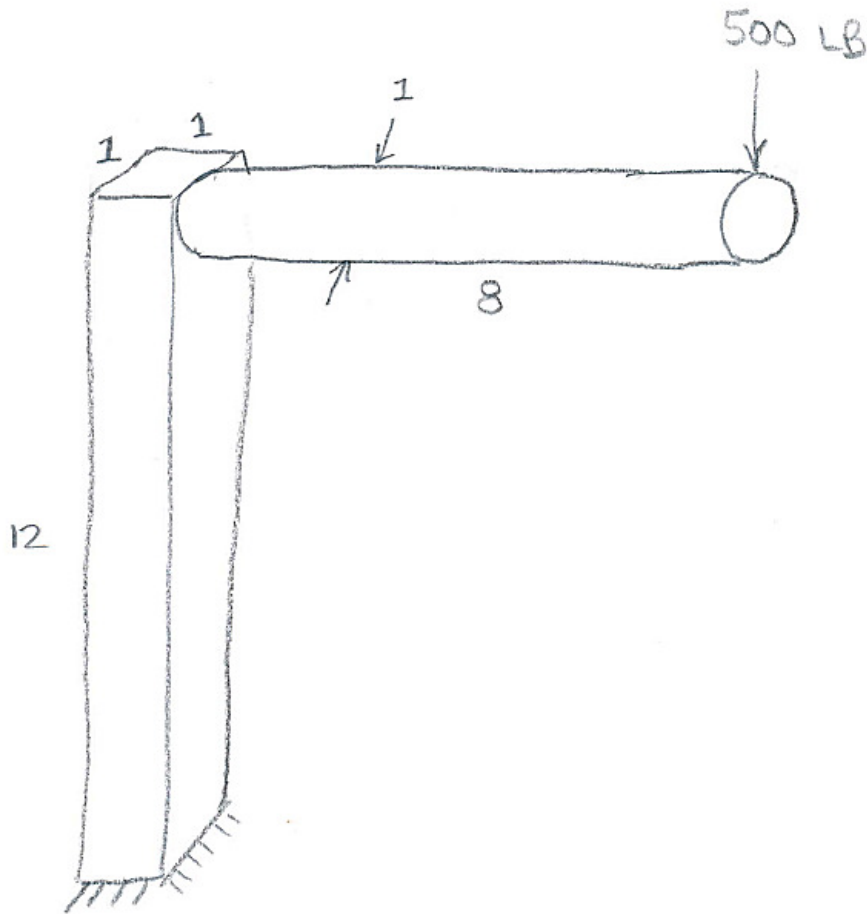


Determine the total tip deflection and the maximum stresses for this two part beam.



Material is steel with a Modulus of Elasticity of 30 million psi.
Dimensions are in inches.

Hint: The round beam will rotate due to the bending of the vertical beam.

Hint 2: Draw a free body diagram.

Hint 2a: Cut off the arm.

Hint 3: Use superposition.